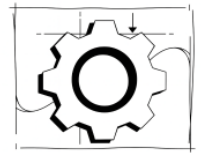
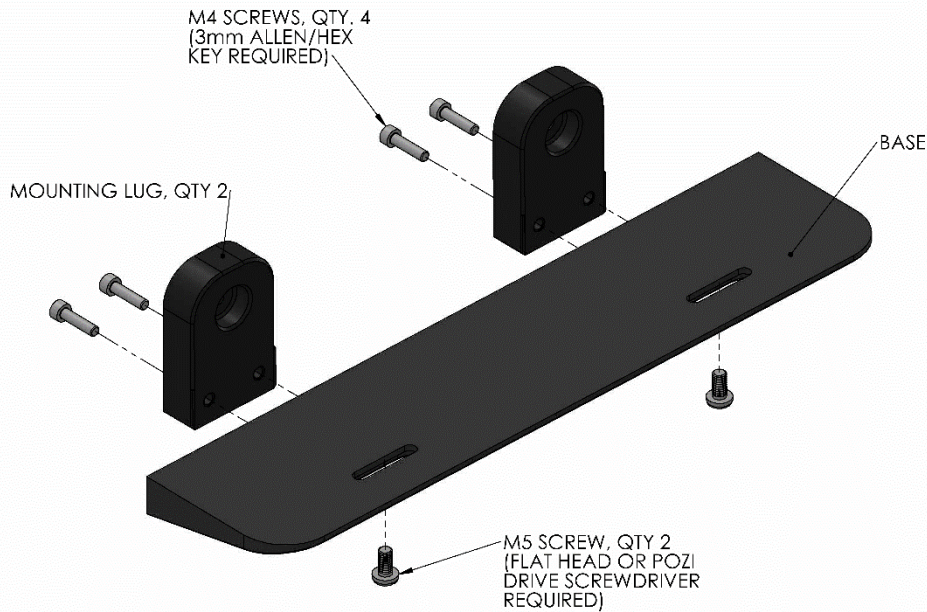


SONOS Beam Gen 1 & 2 Wall Mount

Assembly Diagram



Marischal
— DESIGN —



Contents

- Base x 1.
- Mounting Lug x 2.
- M4 x 16 Machine Screw x 4.
- M5 x 12 Machine Screw x 2.
- Concrete/Brick/Plaster
 - 5mm x 50mm Woodscrew x 2
 - 6mm Red Rawl Plugs x 2
- Hollow Wall Plasterboard
 - M5 x 37mm Lg. Hollow Wall Anchor x 2

Installation Steps

1. Tools Required

- 3mm Allen/Hex key.
- Philips & Flat Head Screwdriver.
- Power Drill.
- Concrete/Brick/Plaster
 - 6mm Drill Bit

- Hollow Wall Plasterboard
 - 10mm Drill Bit
- Spirit Level.

2. Bracket Assembly

- Secure the mounting lugs to the base using **four M4 x 16 mm screws**.
- Tighten firmly. Critical that lug and base facing are tight for structural strength.

3. Positioning

- Ensure wall is suitable for the speaker weight and an even surface.
- Hold the assembled mount against the wall at the desired location.
- Ensure speaker clearance and cable access.
- Use a spirit level to confirm horizontal alignment.

4. Marking

- Confirm alignment before proceeding.
- Using 5mm drill bit, mark the wall directly through the two mounting holes in the mounting lugs.

5. Drilling

- **Concrete/Brick/Plaster**, drill **two 6mm holes** around 50mm deep, taken care to not over drill.
- **Hollow Wall Plasterboard**, drill **two 10mm holes** through plasterboard, taken care to not over drill.

6. Wall Plug Insertion

- Concrete/Brick/Plaster
 - Insert the supplied **6mm red wall plugs** flush with the wall surface.
 - Do not hammer plugs into soft or brittle material.
 - Align the bracket holes with the wall holes/plugs.
 - Insert the **two 5mm wall screws** and tighten securely.
 - Do not overtighten—this may damage the bracket or wall surface.
- Hollow Wall Plasterboard
 - Fix both anchors to mounting holes on bracket, do not tighten.
 - Push anchors through wall holes, ensuring the anchors are pushed into wall sitting flush, then tighten to pull expand anchors to back of wall, and speaker bracket tight to wall.

7. Speaker Attachment

- Place the **Sonos Beam speaker** onto the mount.
- From the underside, insert and tighten the **M5 screw** to secure the speaker to the base.