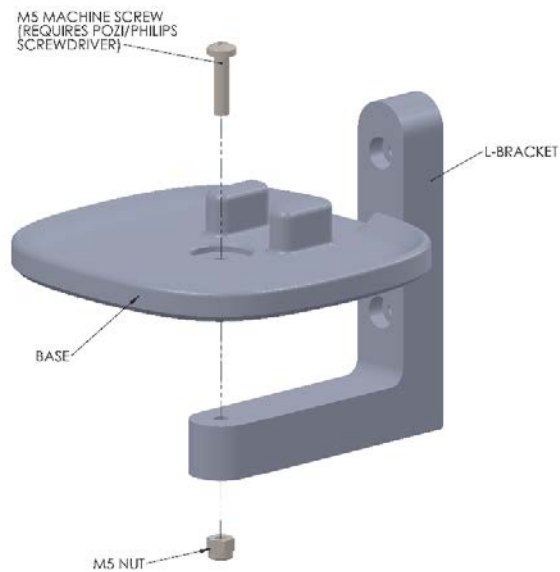


# SONOS ONE Wall Mount Installation Instructions

## Assembly Diagram



---

## Contents

- L-Bracket x 1
- Base x 1
- M5 x 16 Machine Screw x 1
- M5 Nyloc Nut x 1
- Concrete/Brick/Plaster
  - 5mm x 50mm Woodscrew x 2
  - 6mm Red Rawl Plugs x 2
- Hollow Wall Plasterboard
  - M5 x 37mm Lg. Hollow Wall Anchor x 2

## Installation Steps

### **1. Tools Required**

- Philips/Pozi drive screwdriver.
- Power Drill.
- Concrete/Brick/Plaster
  - 6mm Drill Bit
- Hollow Wall Plasterboard
  - 10mm Drill Bit
- Spirit Level.

## 2. Bracket Assembly

- Secure the base to the bracket using **M5 Screw & Nut** (supplied).

## 3. Positioning

- Ensure wall is suitable for the speaker weight.
- Hold the assembled bracket against the wall at the desired location.
- Ensure speaker clearance and cable access.
- Use a spirit level to confirm horizontal alignment.
- Avoid direct sunlight.

## 4. Marking

- Mark the wall directly through the two mounting holes in the vertical arm of the bracket. 5.5mm drill bit works well for this.
- Confirm alignment before proceeding.

## 5. Drilling

- Concrete/Brick/Plaster, drill two **6mm holes** around 50mm deep, taken care to not over drill.
- Hollow Wall Plasterboard, drill two 10mm holes through plasterboard, taken care to not over drill.

## 6. Wall Plug Insertion (where applicable)

- Concrete/Brick/Plaster
  - Insert the supplied **6mm red wall plugs** flush with the wall surface.
  - Do not hammer plugs into soft or brittle material.
  - Align the bracket holes with the wall holes/plugs.
  - Insert the **two 5mm wall screws** and tighten securely.
  - Do not overtighten—this may damage the bracket or wall surface.
- Hollow Wall Plasterboard
  - Fix both anchors to mounting holes on bracket. Do not tighten.
  - Push anchors through wall holes, ensuring the anchors are pushed into wall, then tighten to pull expand anchors to back of wall, and speaker bracket tight to wall.

## 7. Speaker Attachment

- Place the **Sonos One speaker** onto the mounted bracket.
- Confirm that the speaker is stable and properly aligned. If speaker rotation is required, slacken the M5 screw, rotate base and retighten after suitably aligned.
- Ensure power cable is clipped to wall or behind wall to prevent any entanglement.
- Always fully tighten the M5 central base screw after rotation.